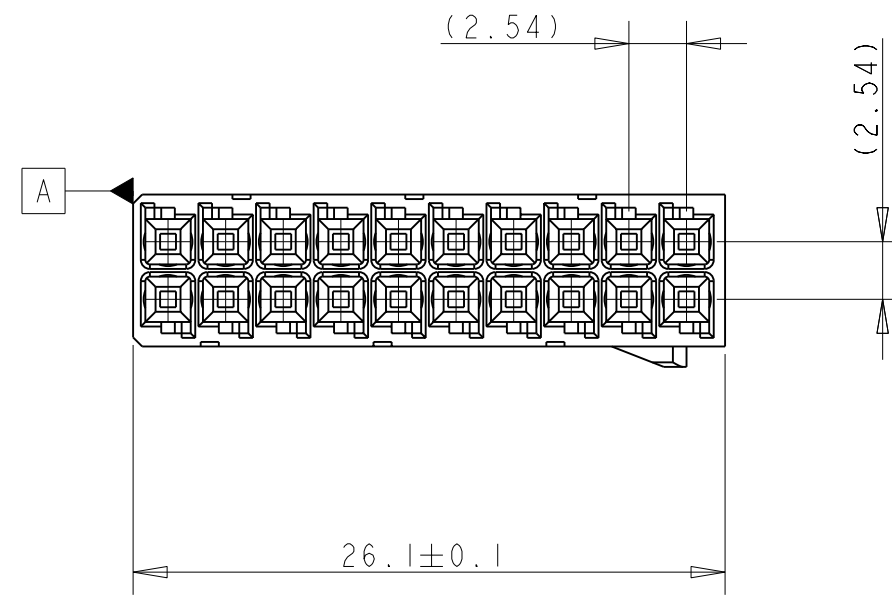
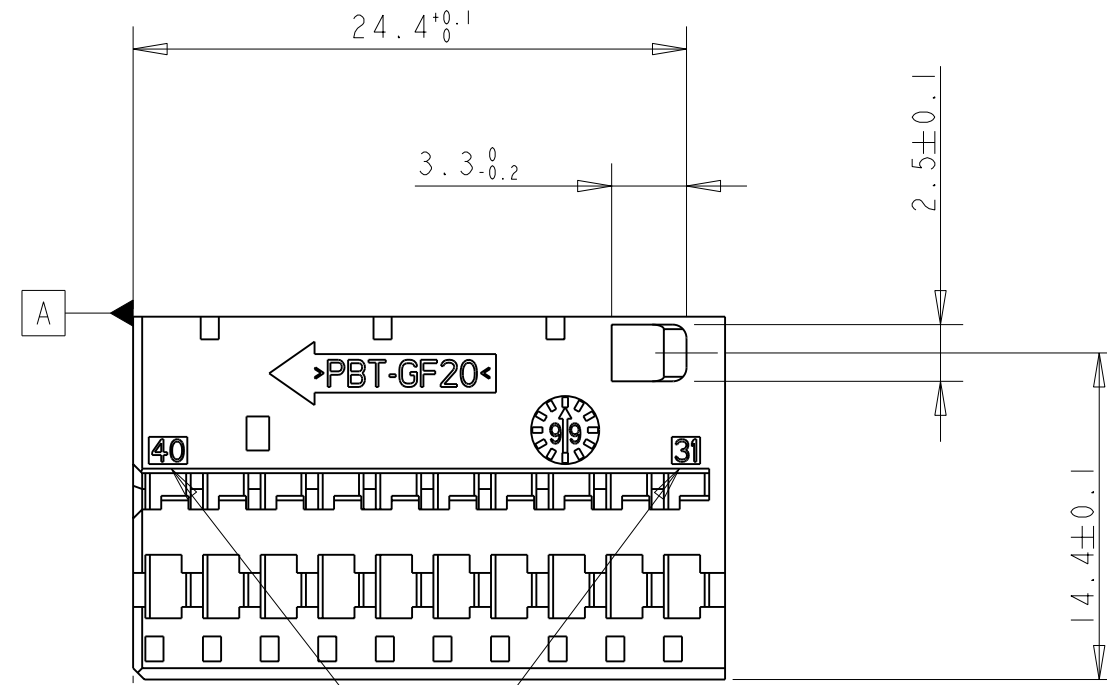
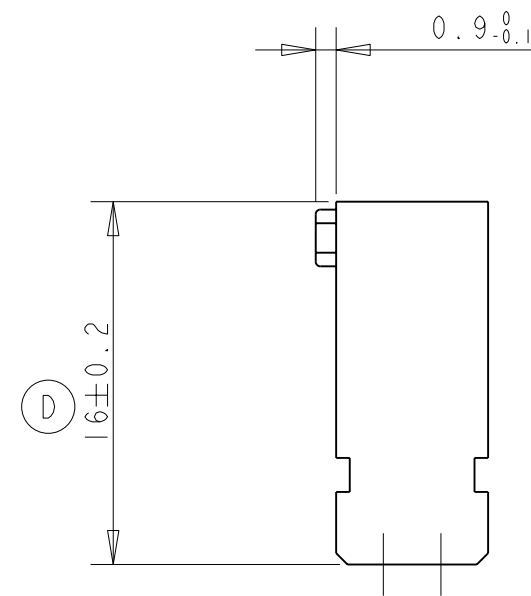
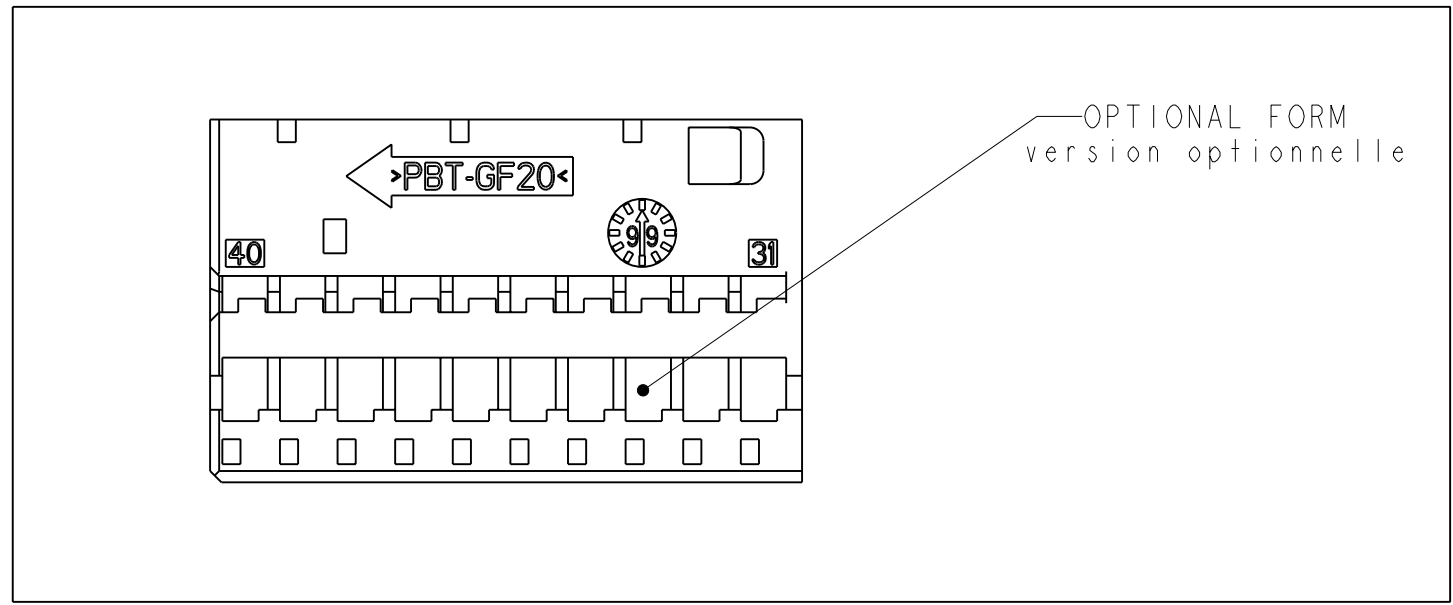


THIS DRAWING IS UNPUBLISHED. / RELEASED FOR PUBLICATION / DIFFUSION RESTREINTE / LIBRE A LA DIFFUSION / 20

© COPYRIGHT 20 BY TYCO ELECTRONICS CORPORATION. ALL RIGHTS RESERVED. / TOUS DROITS RESERVES

LOC	DIST	REVISIONS			
P	LTR	DESCRIPTION MODIFICATIONS	DATE	DWN DESS.	APVD APP.
	O	ER00-0482-03	17DEC2003	BR	JJR
	A	ADDED VIEW WITH OPTIONAL FORM	27SEP2004	MP	JJR
	B	ADDED VERSION WITHOUT STAMP	22APR2005	MP	XR
	C	953119-1 was 1-953119-1 and 953119-2 was 1-953119-2	10MAY2007	MP	XR
	D	DIMENSION 16+/-0.2 WAS 16 0/-0.1	05NOV2010	EC	XR



1-953119-4	PBT 20% FV	BLANC (white)	DE 1 A 20		ECHELLE 2:1
1-953119-3	PBT 20% FV	NOIR (black)	DE 21 A 40		ECHELLE 2:1
953119-1	PBT 20% FV	VERT (green)	DE 21 A 40		ECHELLE 2:1
953119-2	PBT 20% FV	MARRON (brown)	DE 1 A 20		ECHELLE 2:1
REFERENCE TYCO (P/N TYCO)	MATIERE (material)	COULEUR (color)	Marquage alveoles (cavity marking)	DETROMPAGE (coding)	

953119-1 as shown

Notes:
Pièces à utiliser avec :
-porte module 40 voies MQS ref 953122-x
-clips MQS ref 144969-x

To use with:
-shield 953119-x
-contact MQS 144969-x

THIS DRAWING IS A CONTROLLED DOCUMENT FOR TYCO ELECTRONICS CORPORATION. IT IS SUBJECT TO CHANGE AND THE CONTROLLING ENGINEERING ORGANIZATION SHOULD BE CONTACTED FOR THE LATEST REVISION. / CE PLAN EST UN DOCUMENT CONTRÔLÉ PAR TYCO ELECTRONICS. IL EST SUSCEPTIBLE D'ÊTRE REVISÉ. CONTACTER LE SERVICE TECHNIQUE DE TYCO ELECTRONICS POUR OBTENIR LA DERNIÈRE RÉVISION.		DWN /DESSINE B.R NOV2003	Tyco Electronics TYCO ELECTRONICS France SAS 95300 PONTOISE, FRANCE	
DIMENSIONS: mm		CHK /VERIFIE J. Daher NOV2003	NAME /TITRE MODULE 20 VOIES MQS Receptacle housing 20 way MQS	
TOLERANCES UNLESS OTHERWISE SPECIFIED: TOLERANCES NON SPECIFIEES mm		APVD /APPROUVE JJ REV11 NOV2003	SIZE /FORMAT A2	
MATERIAL /MATIERE		PRODUCT SPEC 108-15178	CAGE CODE 00779	DRAWING NO No PLAN 953119
FINISH /FINITION		APPLICATION SPEC	WEIGHT /MASSE APPROX. 1.8 gr	RESTRICTED TO RESERVE A
ANGLES ±5°		APPLIC. APPLICATION	CUSTOMER DRAWING /PLAN CLIENT	UNIQUEMENT POUR REFERENCE
SCALE /ECHELLE 4:1		SHEET /FEUILLE 1 OF /DE 1		REV D